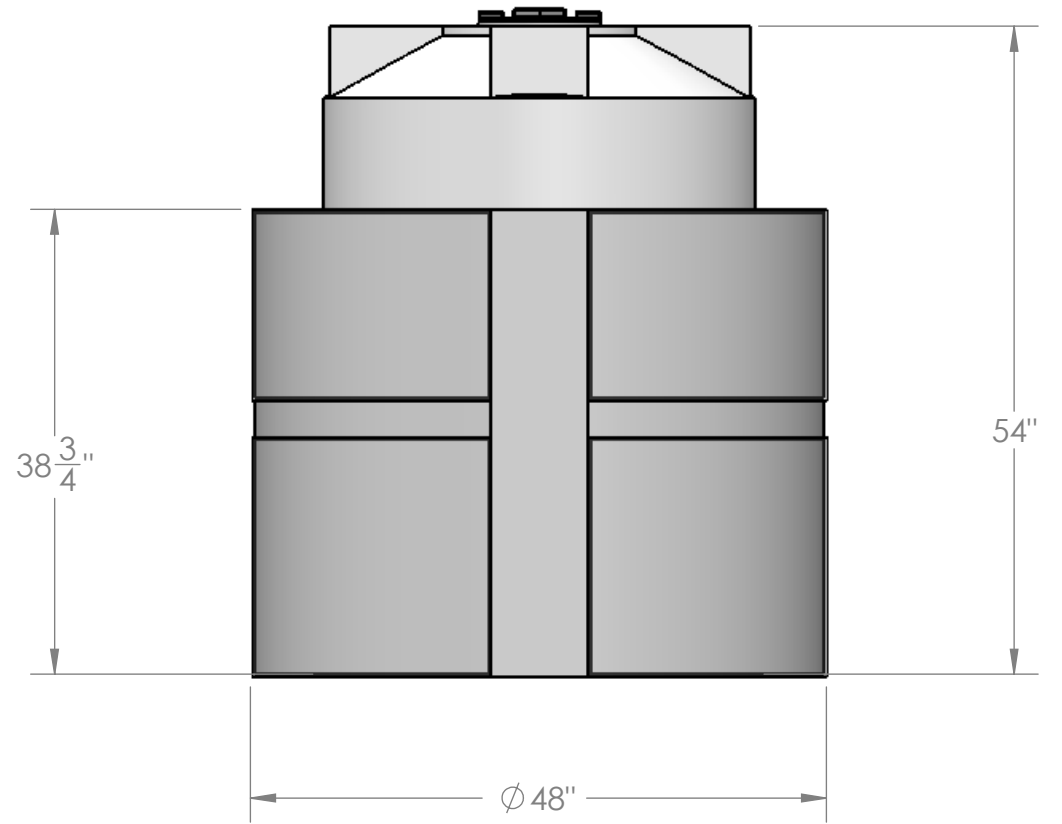
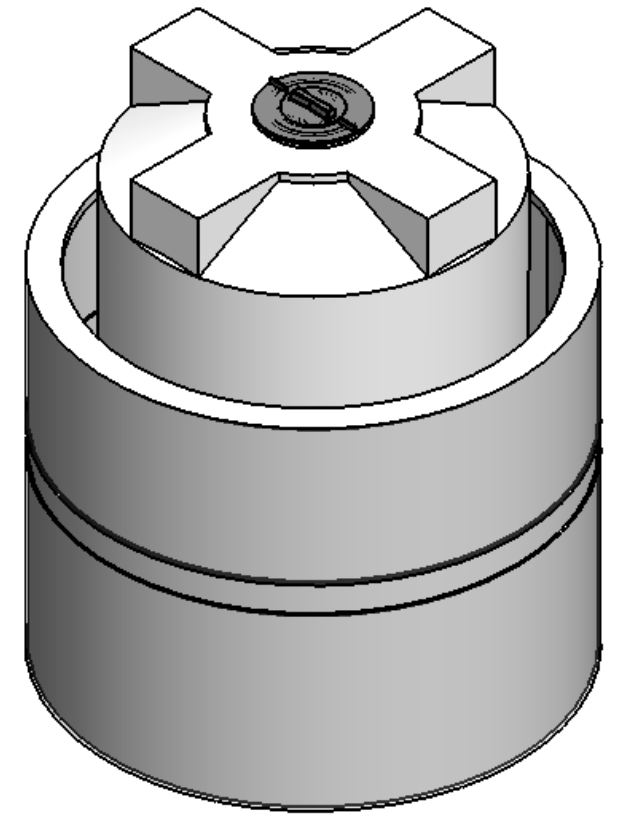
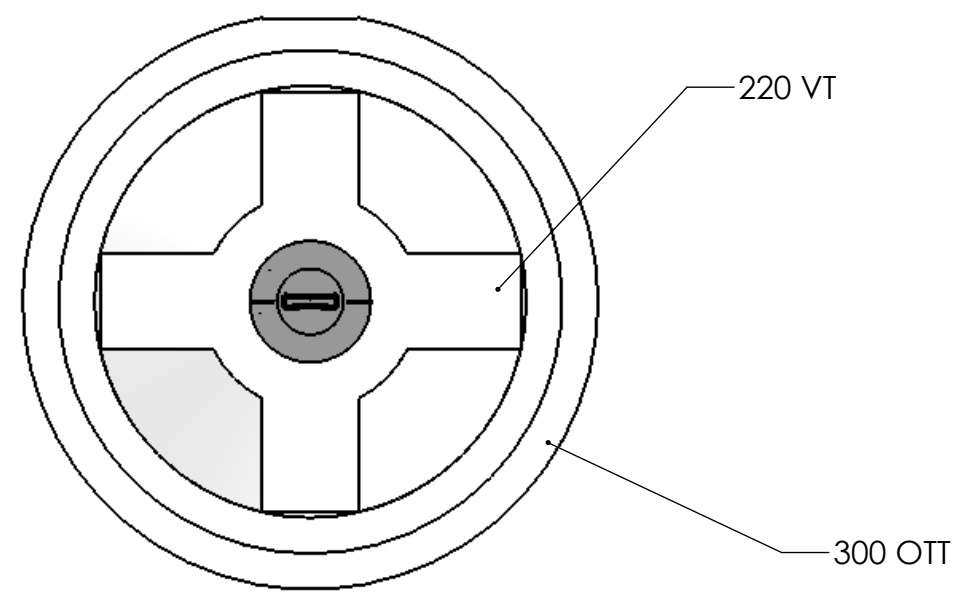


8 7 6 5 4 3 2 1

D
C
B
A



NOTES:

1. MATERIAL: HDPE
2. PRIMARY TANK: STD = 2.0 S.G. 50 LBS
3. CONTAINMENT: STD = 2.0 S.G. 60 LBS
4. SHIPPING WEIGHT: 110 LBS.

PROPRIETARY AND CONFIDENTIAL
 THE INFORMATION CONTAINED IN THIS DRAWING IS THE SOLE PROPERTY OF <INSERT COMPANY NAME HERE>. ANY REPRODUCTION IN PART OR AS A WHOLE WITHOUT THE WRITTEN PERMISSION OF <INSERT COMPANY NAME HERE> IS PROHIBITED.

		UNLESS OTHERWISE SPECIFIED:		NAME	DATE	CUSTOM ROTO-MOLDING, INC.	
		DIMENSIONS ARE IN INCHES		DRAWN	EBW	10-22-10	TITLE:
		TOLERANCES:		CHECKED			220 VT - 300 OTT
		FRACTIONAL ±		ENG APPR.			SIZE
		ANGULAR: MACH ± BEND ±		MFG APPR.			DWG. NO.
		TWO PLACE DECIMAL ±		Q.A.			REV
		THREE PLACE DECIMAL ±		COMMENTS:			
		INTERPRET GEOMETRIC TOLERANCING PER:					
		MATERIAL					
NEXT ASSY	USED ON	FINISH					
APPLICATION		DO NOT SCALE DRAWING					
				SCALE: 1:24		WEIGHT:	
						SHEET 1 OF 1	

8 7 6 5 4 3 2 1